

# NAVILITE 230 VAC

These lights are dedicated to night marking of any kind of air navigation obstacle in 230VAC.



### One-piece molded

- Perfectly waterproof
- no corrosion risk
- lifetime 10 times higher than for incandescent lights
- no rise from the ground potential (due to lightning for example)
- increased reliability
- bird spike



### Power supply

- Modular design with separate power supply in a polycarbonate housing mounted on a stainless steel bracket
- 230VAC power transformer providing galvanic isolation with the light



### LED light

- Total of 64 diodes
- 16 circuits of 4 LEDs
- LED wiring 4 by 4 in active redundancy
- provide perfect support of the LED inclination angle
- initial light intensity twice higher than requested by the standards
- excellent heat dissipation
- supplied with molded cable
- Galvanic isolation with 220V

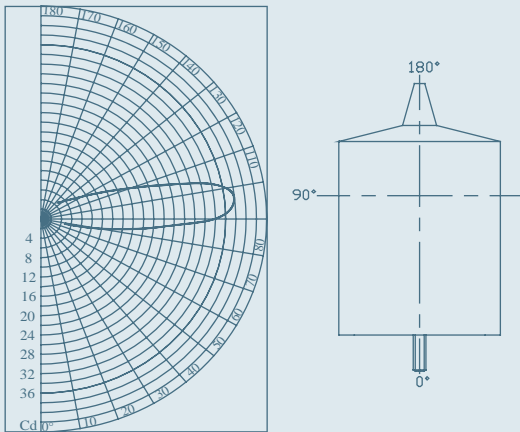
## MAIN CHARACTERISTICS

OBSTA part number	Power supply	Luminous intensity	Electrical current	Nominal power	Theoretical lifetime*
NAVILITE 13909	230 VAC	> 32 Cd	70 mA	< 6 W	100 000 h.

\* given by LED manufacturer

## ADDITIONAL FEATURES

### LIGHT INTENSITY DIAGRAM

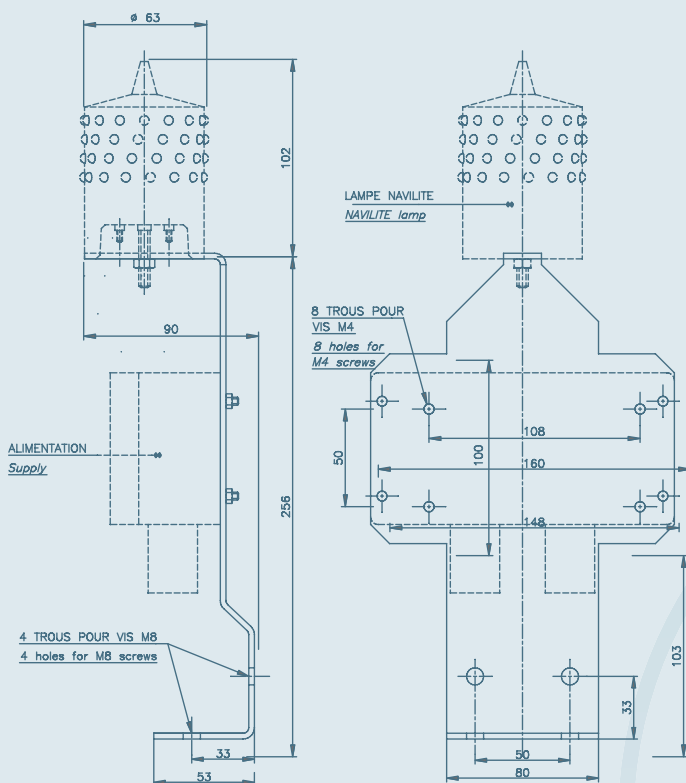


	NAVILITE Type A
IP degree	66
Operating temperature	-40° to + 55°C
Power supply	230 VAC (+/- 10%)
Weight (light)	370 g (excluding fixing bracket*)
Weight (light + power supply)	0.9kg (excluding fixing bracket*)
Attachment	by screw M5 (provided)
Maintenance	none

\* The weight of the fixing bracket is 0.75kg

### DIMENSIONS (In mm)

#### Fixing bracket



### COMPOSITION

- Stainless steel mounting bracket ref. 13920
- 230V power supply ref. 13911 (spare part)
- NAVILITE 48 V with 35m molded cable ref. 13905 (spare part)

